

Flow-Through Pressure Gauge PsP 50 – 3 FT

T04-000-003

08.12.2014 Klu/BV

Page 1 of 2

Pressure Gauge for UHP-Applications

An usual pressure gauge has significant disadvantages because of its geometry when cleaning the wetted parts, e.g. at the end closed bourdon tube.

Our Flow-Through Pressure Gauge operates with a diaphragm measuring element. It is provided with two opposing VCR-connections (1 x female and 1 x male) and one electropolished, cavity-free media space. This improves the rinsing property significantly, the rinsing periods are much reduced. All parts that have contact with the product are made of stainless steel.



Application:

For pressure measurement of liquid and gaseous media at highest requirements of cleanliness.

Nominal Case Size:

50 mm (1.97")

Accuracy: class 2.5
(EN 837-3)

Pressure Ranges: -1 / + 3 bar (30" Hg vac. / + 60 psi),
-1 / + 5 bar (30" Hg vac. / +100 psi),
-1 / + 9 bar (30" Hg vac. / +160 psi), and
-1 / +15 bar (30" Hg vac. / +200 psi),
other pressure ranges upon request, e.g.
-1 / + 1 bar (30" Hg vac. / + 15 psi)
5 times overrange protected up to
max. 40 bar (600 psi)

Temperature Limitation:

Ambient Temp.: -20 °C bis +50 °C
(-4...+122 °F)

Medium Temp.: max. +50 °C (+122 °F)

Wetted Parts:

diaphragm made of Inconel 718
case made of 316 stainless steel (1.4435),
electropolished

Surface Qualities:

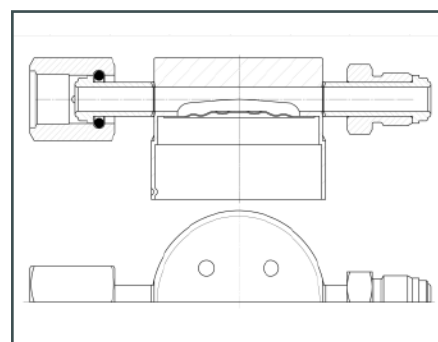
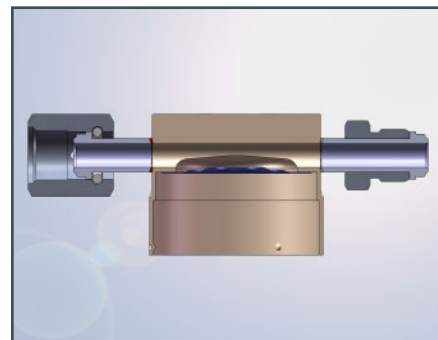
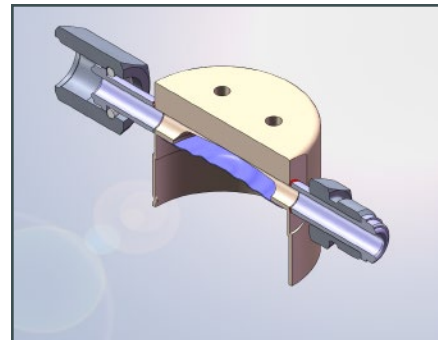
$Ra \leq 0,25 \mu m$

Window: PMMA

Position of the Connection:

12⁰⁰ and 6⁰⁰,
others upon request

Connections: 1/4" Female x 1/4" Male VCR or
1/2" Female x Male VCR
Please quote 12⁰⁰: Female or Male



Instruments To
Industry Ltd

INSTRUMENTS TO INDUSTRY LTD

Euro Works - Hawksley Industrial Estate - Hawksley Street
Oldham - OL8 4PQ - United Kingdom

T: +44 (0)161 652 7741

F: +44 (0)161 621 0389

E: sales@itiuk.com

W: www.itiuk.com

Diaphragm Pressure Gauge

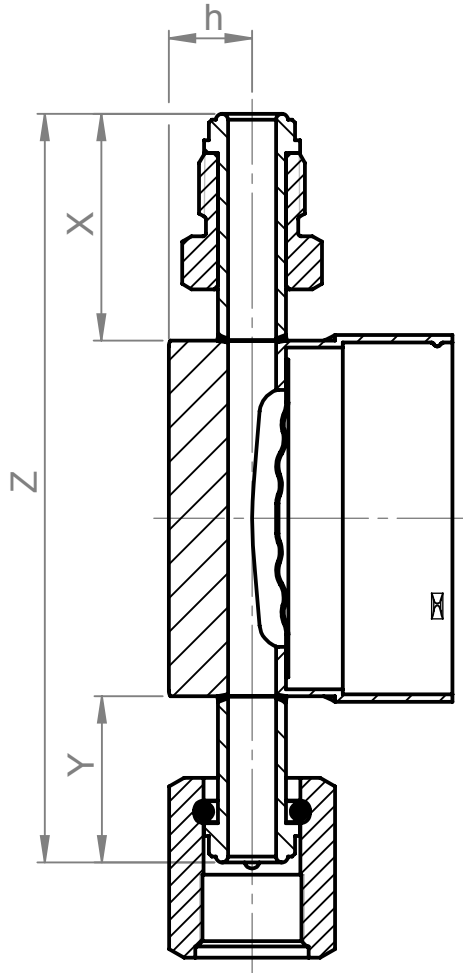
with vertical diaphragm
Pressure gauges for UHP-applications

T04-000-003

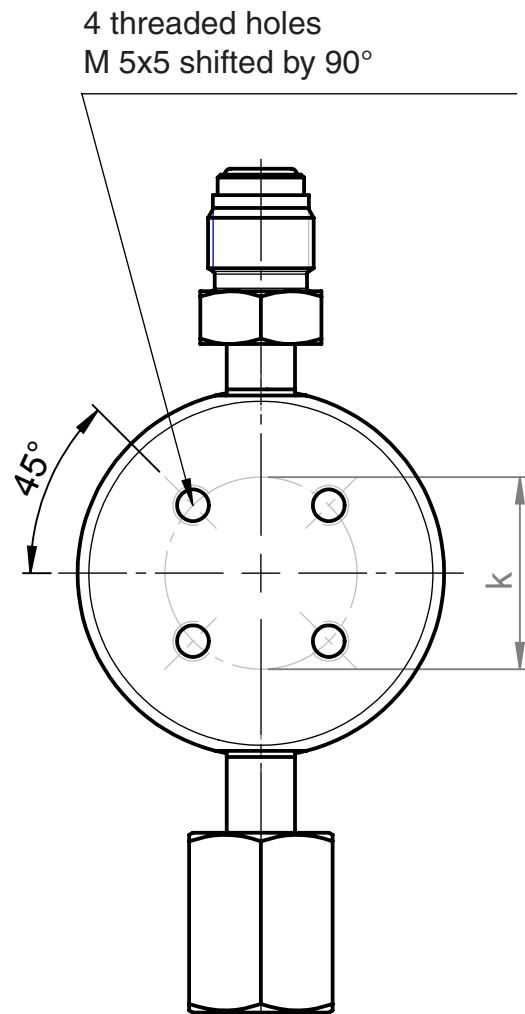
08.12.2014 Klu/BV

Page 2 of 2

Cross-section



Top view



Dimensional Data

Connections	h	k	X	Y	Installation depth gauge Z
VCRM / VCRF ¼"	11 mm (.43")	25.4 mm (1")	27 mm (1.06")	25 mm (.98")	99.0 mm (3.9")
VCRM / VCRF ½"	12.8 mm (.5")	25.4 mm (1")	46 mm (1.81")	28 mm (1.10")	120.5 mm (4.7")