

Subsea Pressure Gauges

Type PBX-SS, with pressure tight solid barstock case

PBX
PBXG

Standard Versions

The application of these gauges are for operating at great depths of sea water and in hyperbaric conditions.

Accuracy (EN 837-1)

Case Ø 63 : ± 1.6% F.S./ class 1.6

Case Ø100 and Ø160 : ± 1.0% F.S./ class 1

Case

Screwed bezel, Stainless Steel AISI316/1.4401, pressure tight for depths down to; see below:

- Ø63mm up to 1200m
- Ø100mm up to 900m
- Ø160mm up to 450m

Datasheet available on request at sales@itiuk.com

Case Filling

For model PBXG: glycerine or silicone oil
Case filling available starting at 10 bar

Nominal Case Size

Model PBX: 63, 100, 160 (mm) (2.5", 4", 6")

Model PBXG: 63, 100, 160 (mm) (2.5", 4", 6")

Wetted Parts

Bourdon tube + connection AISI316Ti/1.4571

Case Configuration

Connection: screwed
Position of the connection: bottom connection, optional lower back connection (r)
Mounting device: without, optional back flange for surface mounting (Rh) / front flange for panel mounting (Fr), see page 2

Pressure Ranges (EN 837-1)

0-6 upto 0-60 bar, acc. to EN 837-1

For higher ranges email sales@itiuk.com with a maximum of 1,600 bar

Process Connection

Ø63mm: ¼"BSP or ¼"NPT

Ø100mm and Ø160mm: ½"BSP or ½"NPT

Window

Armoured glass 19mm thick (Ø63 15mm)

Movement

Stainless Steel AISI304/1.4301

Dials

Aluminium,
black figures on white

Pointer

Aluminium, black



Ordering Information, and Special Options

- Caisson test pressure gauges ultra deep, and can withstand up to 400 bar, 4,000 m
- See page 2, or alternatively email to sales@itiuk.com
- Also available



Case Configurations, Code Letters, Dimensional Data and Weights

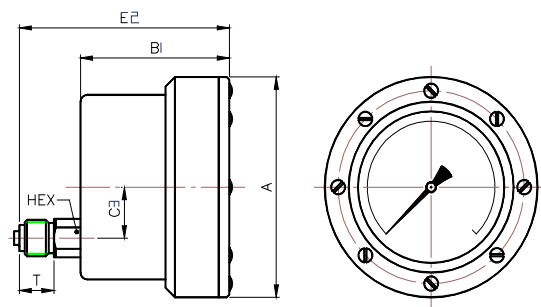
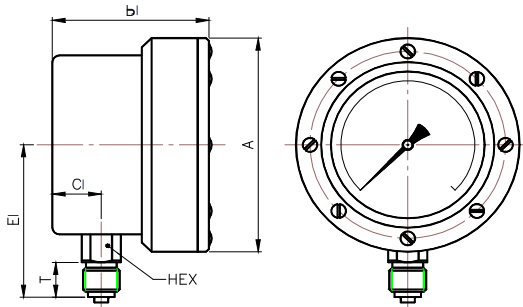
Bottom connection

Lower back connection

No mounting device

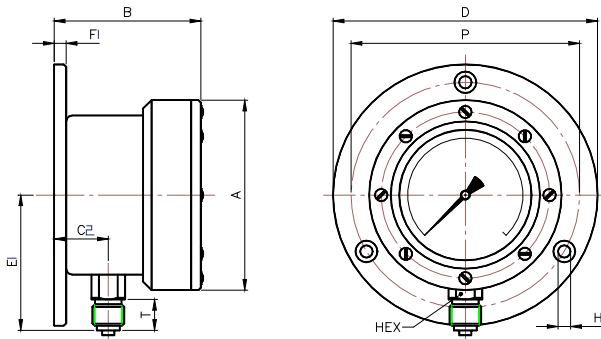
(no additional code letter)

code letter: r



Back flange for surface mounting

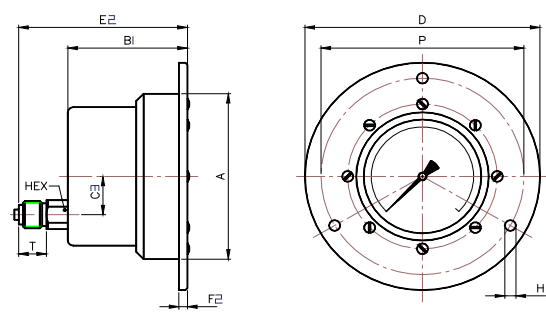
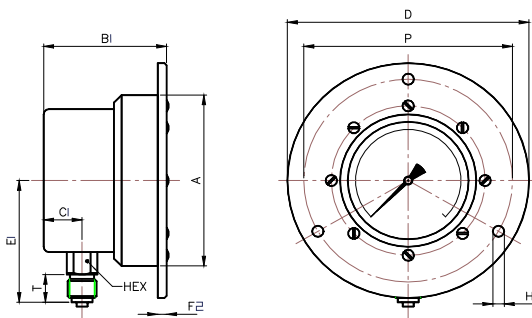
code letters: Rh



Front flange for panel mounting

code letters: Fr

code letters: rFr



Dimensional data (mm/inches) and weights (kg/lb)

NCS	□	B1	B2	C1	C2	C3	D	E1	E2	F1	F2	H	P	T	HEX
63	80	56	61	17.5	22.5	18.5	110	57	79	5	4	5.2 (3x)	95	13	14
2.5"	3.15	2.2	2.4	.6□	.8□	.73	4.33	2.24	3.11	.2	.16	.2	3.74	.51	.55
100	124	71	76	20	25	30	175	97	113	5	5	6.2 (4x)*	150	20	22
4□	4.88	2.8	2.□□	.7□	.8	1.18	6.8□	3.82	4.45	.2	.2	.24	5.□1	.7□	.87
160	170	71	76	21	26	33	205	104	113	5	5	6.2 (4x)*	186	20	22
6.3"	6.6□	2.8	2.□□	.83	1.02	1.3	8.07	4.0□	4.45	.2	.2	.24	7.32	.7□	.87

*4 hole pattern:

