

Bourdon Tube Pressure Gauges

Bayonet ring case stainless steel, safety category S3 according to EN 837-1
with indirect limit switch contact assembly (model R)



RSCh 63

This data sheet contains information on the number of the maximum possible contacts, the electrical connections, the options and the ordering information of bourdon tube pressure gauges model RSCh 63 with limit switch contact assembly with 1 or 2 reed contacts, furthermore dimensional drawings with the position of the electrical connections.

Data sheet 1610 contains all details of the available model RSCh without limit switch contact assembly. These information as well the required ordering information are also valid for the version with limit switch contact assembly, as far as not described differently. A case filling is not available.

In **model overview 9.1000** definitions, applications and functions of the particular models of the limit switch contact assemblies are described generally and in detail. It also contains comprehensive information on the selection, switching functions and minimum spans, operating conditions, Ex-protection, options and others.



Standard Version

Available limit switch contact assemblies

Indirect (contactless)
Reed contact **R**

Number of the maximum possible contacts
up to 2 x R

Case Protection Type (EN 60 529 / IEC 529)
IP 54

Blow-out Device

Blow-out back; at pressurisation in the case the entire cross section is enabled to the back.

Nominal Case Size
63 (mm) (2½")

Window

Laminated safety glass
case configuration Fr and rFr: polycarbonate

Adjusting Mechanism Limit Setting Pointer

Accessible manually after removal of the bayonet ring
Case configurations Fr and rFr have an adjustable lock in the window. The limit setting pointer is set to the value at which the switching operation should happen, externally by the removable key.

Electrical Connection

lateral at the right side of the case,
1m connection cable, blue
2-wire (1 reed switch) resp. 4-wire (2 reed switches),
with rubber bushing and pull relief

Options

- adjustable lock as for case configurations Fr, rFr
- adjustable lock with non-removable key
- more than 1 m connection cable upon request
- plug connector according to DIN EN 175 301-803 construction types A and C, lateral left at 9 o'clock (dimensional drawings upon request) (see also page 2)
- other position of the electrical connection upon request

Ordering Information

When installing limit switch contact assemblies, the ordering code of the basic model (see data sheet 1610) is extended by

- code letters: **R** reed contact
- code number: **1** making contact for clockwise pointer movement for the switching function **2** breaking contact for clockwise pointer movement **4** making contact for anticlockwise pointer movement **5** breaking contact for anticlockwise pointer movement

The switching functions are combinable optionally for 2 x R, if there is a minimum distance of 25% of the span

Examples:

RSCh 63-3, 0-10 bar, G ¼ B, R 1
RSCh 63-3, rFr, 0-25 bar, ¼" NPT, R 24

Details

For an optimal function of the instruments with limit switch contact assembly you have to add the following to the ordering information:

- switching pressure(s)
- switching range(s), in which the values are adjusted if it is beyond the adjustment ranges that are defined by us



Instruments To
Industry Ltd

INSTRUMENTS TO INDUSTRY LTD

Euro Works - Hawksley Industrial Estate - Hawksley Street
Oldham - OL8 4PQ - United Kingdom

T: +44 (0)161 652 7741

F: +44 (0)161 621 0389

E: sales@itiuk.com

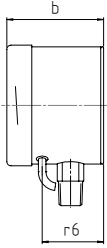
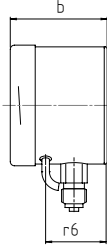
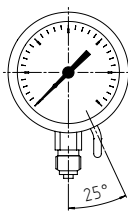
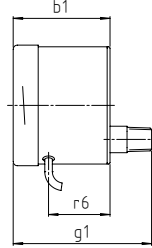
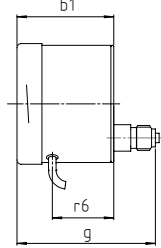
W: www.itruk.com

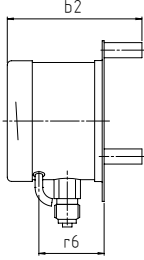
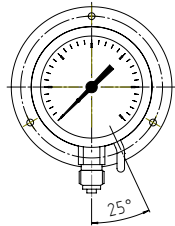
1619.4

10/11

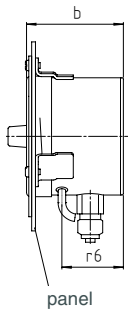
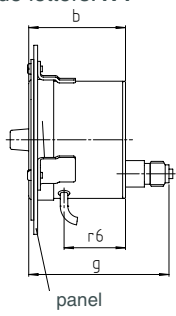
Case Configurations, Code Letters, Dimensional Data and Weights, Options

Compared to the basic models there are deviations in the front-to-back sizes, see table.
The remaining dimensions can be seen on data sheet 1610.

Bottom Connection	Lower Back Connection	
Without mounting device		
(no additional code letter)	code letter: r	
		
		

Back flange	
code letter: Rh	
	

Case configuration Rh is supplied with 3 loose mounting spacers.

Front flange	
code letters: Fr	code letters: rFr
	

Case configurations "Fr" and rFr" are supplied with loose front flange and 3 mounting brackets that are welded to the case.

Dimensional Data (mm / inches) and Weights (kg / lb)					
NCS	b / b1	b2	g ^{±1} / g1 ^{±1}	r6	approx. weight ¹⁾ RSCh
63	51 / 2.01	71 / 2.8	73 / 2.87	31 / 1.22	0.29 / 0.64

Options	
Plug connector DIN EN 17 5301-803	
- IP 65, 3-pin and protective contact	
construction type A	construction type C

These plug connectors are mounted laterally at 9 o'clock.



¹⁾ The information relates on the version with bottom connection and limit switch contact assembly with 2 contacts