

Diaphragm Seals

Plastic Model, PN 10 at +20 °C (+68 °F)

1/2" BSP or 1/4" BSP female

Model

MDM 7190

Application

Diaphragm seals model 7190 are suitable for aggressive and neutral media that are not gluey or dirty and do not corrode the materials mentioned below. Pressure gauges, pressure switches and transducers can be attached.

Important information about advantages, applications, and features can be found in our model overview 7000 where you will also find an overview of our other chemical seal series.

Please note especially the explanations about the influences of temperature and other special operating conditions, and the requirement of detailed ordering information resp. inquiries.

Please use our check list for pressure measuring instruments with chemical seal to ensure the completeness of all required ordering information (for download to find at <http://armaturenba.com>, PDF-Download). You can receive the check list in printed version with mail upon request.

Construction

The diaphragm is fixed between upper and lower part. Measuring instrument and diaphragm seal are mounted together after being filled separately.

Standard Configuration

Process connection

1/2" BSP female, outside glue joint according to DIN 8063 Part 8

Material upper and lower part

uPVC (polyvinyl chloride)

Diaphragm

EPDM, PTFE-coated, with integrated sealing ring

Screws

304 stainl. steel (1.4301), cover caps PE

Nominal pressure

PN 10 at +20 °C (+68 °F)

Instrument connection

1/2" BSP female

Filling fluid

Glysantin® ¹⁾

Pressure ranges measuring instrument

Pressure gauges 0-2.5 to 0-10 bar, 0-30 0-160 psi for other measuring instruments upon request

Reference temperature

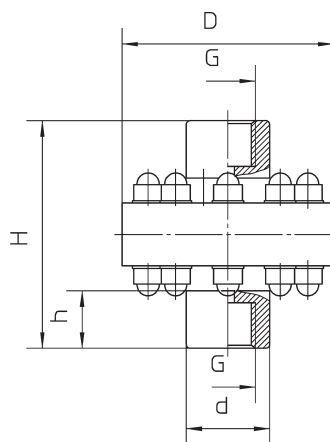
+20 °C (+68 °F); dial inscription for pressure gauges: tA 20 °C

Optional Special Configurations e.g.

- Instrument connection 1/4" BSP female
- Process connection female 1/4" BSP, 1/2" NPT, or 1/4" NPT, welded male connection M14 x 1.5, others upon request
- Metallic diaphragm, e.g. tantalum with PTFE-foil (also for vacuum and compound ranges) upon request
- Material PP (polypropylene) or PVDF (polyvinylidene fluoride), process connection outside usable as weld joint acc. to DIN 16962/3
- Screws titanium (incl. hexagon nuts and washers)
- Other filling fluids upon request
- Capillary line between diaphragm seal and instrument, data sheet 7002, length limit upon request



Dimensions and Weight



Dimensional Data and Weight (mm / inches) and Weight (kg / lb)

Version:	d	D	h	H	G	Weight (approx.)		
						PVC	PP	PVDF
Standard	32	81	22	87	1/2" BSP	.46	.32	.59
	1.26		.87			1.02	.71	1.30
Option	25	3.19	18	3.43	1/4" BSP	.25	.18	.31
	.98		.71			.55	.40	.68

How to Order:

Please note the detailed information about the required ordering information

- in our model overview 7000 and our check list for measuring instruments with chemical seal
- on the data sheet for the measuring instrument that shall be attached.

Model code: **MDM 7190**

Process connection: **1/2" BSP-f** (others see left)

Nominal pressure: **PN 10**

Material of wetted parts: **uPVC** (others see left)

Instrument connection²⁾ **1/2" BSP-f** (others see left)

Special configurations: see left

Please point out especially when the medium or ambient temperature is different than +20 °C (+68 °F)

Example: MDM 7190, 1/2" BSP-f, PN 10, uPVC, 1/2" BSP-f for instrument

¹⁾ mainly consisting of ethandiol

²⁾ to state only for separate ordered diaphragm seals



INSTRUMENTS TO INDUSTRY LTD

Instrument House • Knowsley Industrial Park • Liverpool L33 7UZ • UK
Phone: +44 (0) 151 546 4943 • Fax: +44 (0) 151 548 6262
www.itruk.com • sales@itruk.com

7190

2/06