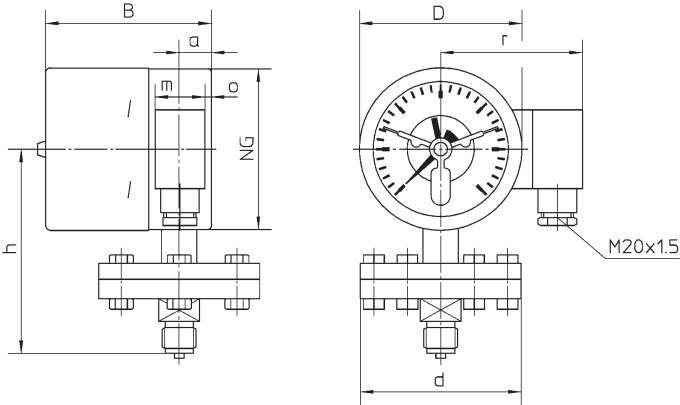




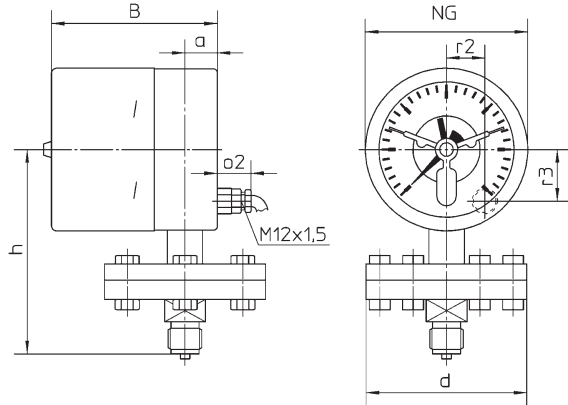
# Case Configurations, Electrical Connections, Dimensional Data and Weights

The dimensions are the same as from the basic model, except the front-to-back sizes, see table below. For the other dimensions, please see data sheet 3201. Dimensional drawings for versions with PP/PE-converter are available upon request.

## Universal plug connector or terminal box on the right side of the case



## Connection cable passing through the back of the case



## Dimensional Data (mm / inches) and Weight (kg / lb)

| Nominal Case Size | Flange-Ø d | a         | B                                       | D               | h ±1        | m          | o        | o2        | r           | r2         | r3         | Weight (approx.) <sup>2)</sup> |                 |
|-------------------|------------|-----------|---|-----------------|-------------|------------|----------|-----------|-------------|------------|------------|--------------------------------|-----------------|
|                   |            |           |   |                 |             |            |          |           |             |            |            | PCh                            | PChG            |
| 100<br>4"         | 100<br>4"  | 20<br>.79 | 103<br>4.06                             | 101<br>3.98     | 127<br>5.00 | 31<br>1.22 | 4<br>.16 | 21<br>.83 | 88<br>3.46  | 23<br>.91  | 32<br>1.26 | 2.250<br>4.960                 | 2.950<br>6.504  |
|                   | 160<br>6"  |           | 3.600<br>7.937                          | 4.400<br>9.700  |             |            |          |           |             |            |            |                                |                 |
| 160<br>6"         | 100<br>4"  |           | 108 <sup>1)</sup><br>4.25 <sup>1)</sup> | 161<br>6.34     | 156<br>6.14 |            | 2<br>.08 |           | 117<br>4.61 | 36<br>1.42 | 50<br>1.97 | 3.250<br>7.165                 | 5.050<br>11.133 |
|                   | 160<br>6"  |           | 4.600<br>10.141                         | 6.500<br>14.330 |             |            |          |           |             |            |            |                                |                 |

<sup>1)</sup> For inductive and electronic limit switches with 2 similar make/break operations (i.e. I 11 or I 22, also as part of 3x inductive limit-switch assemblies) and for 3 and 4 x standard or magnetic contacts please add 12 mm (0,47") to length B.

<sup>2)</sup> The weights of instruments with different pressure ranges are varying a lot, therefore the here stated data can be a vague outlining only.

The information in this leaflet is given in good faith, but we reserve the right to make changes without notice.